

# CryoLert 9500

## Liquid nitrogen alarm system

### Storage tanks do not last forever ...

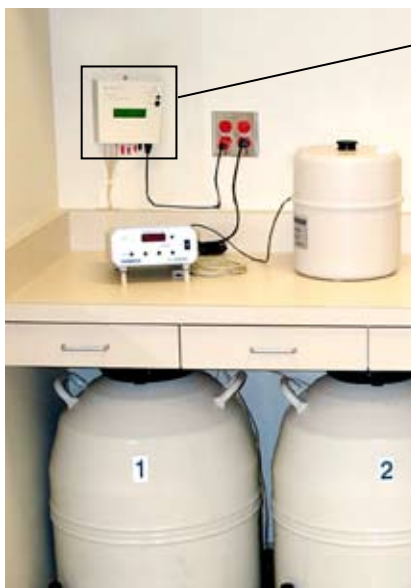
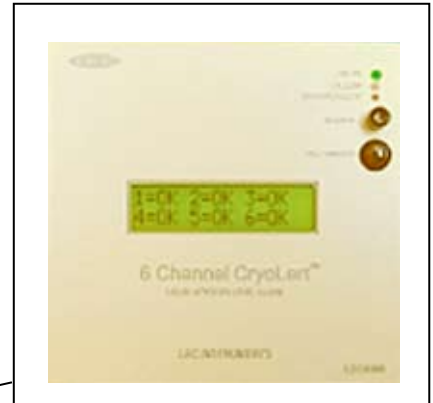
Storage tanks are constructed just like a thermos; a double layer vessel with vacuum between the two layers. When the inner vessel deteriorates (after 8-9 years) the vacuum disappears and the LN2 levels drop rapidly, resulting in valuable sample loss within few hours.

### We all forget ...

Monitoring the LN2 level is a task to be carried out regularly, but it is a task easily skipped when things are getting busy.

### 24 hours surveillance ...

Can be connected to the hospital alarm system or to a dial-up system which calls you if the alarm goes off at night or during weekends.



### CryoLert 9500 can monitor up to 6 storage tanks

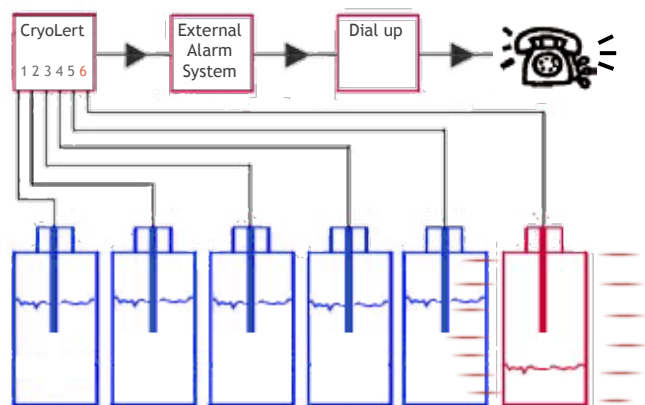
An audible, visual and relay contact alarm alerts you:  
 a) if the LN2 level drops below the preset minimum level,  
 b) if the sensor develops a fault, or  
 c) if the power fails.

The preset minimum level can be set to be at the upper rim of the canister, halfway down the canister, or at any level you find may be convenient.

A resettable "timeout" button temporarily disables the alarm outputs, allowing re-filling and specimen manipulation for 5 minutes.

### System features

- LN2 sensor is protected inside a fiberglass tube
- Sensor length and connection cable are made to specification
- Relay output for connection to an external alarm
- Power supply: 230V/50Hz
- Size: 155 x 150 x 70 mm



Fiberglass tube protecting the ceramic sensor

Ref	Product
72000	CryoLert 9500 - 6 channels
72001	Cryolert LN2 Sensor